

NELSON™ HEAT TRACING SYSTEMS

TE760-TC THERMOSTAT

SPECIFICATION / APPLICATION INSTALLATION

DESCRIPTION



These thermostats are used for high temperature piping on freeze protection and process maintenance applications in hazardous locations. Includes 3-pole, 50A contactor.

ENCLOSURE

Cast Aluminum

CLASSIFICATIONS

NEMA Type 4, 7, 9 IP66

TEMPERATURE RANGE

0 to 538°C (32 to 1000°F)

SENSING PROBE

Length	Material	Max. Bulb Temperature
3m (10ft.)	Incoloy 825	593°C (1100°F)

ELECTRICAL DATA

Load Switching: 50 amp resistive @ 480VAC
Control Voltage: 120VAC

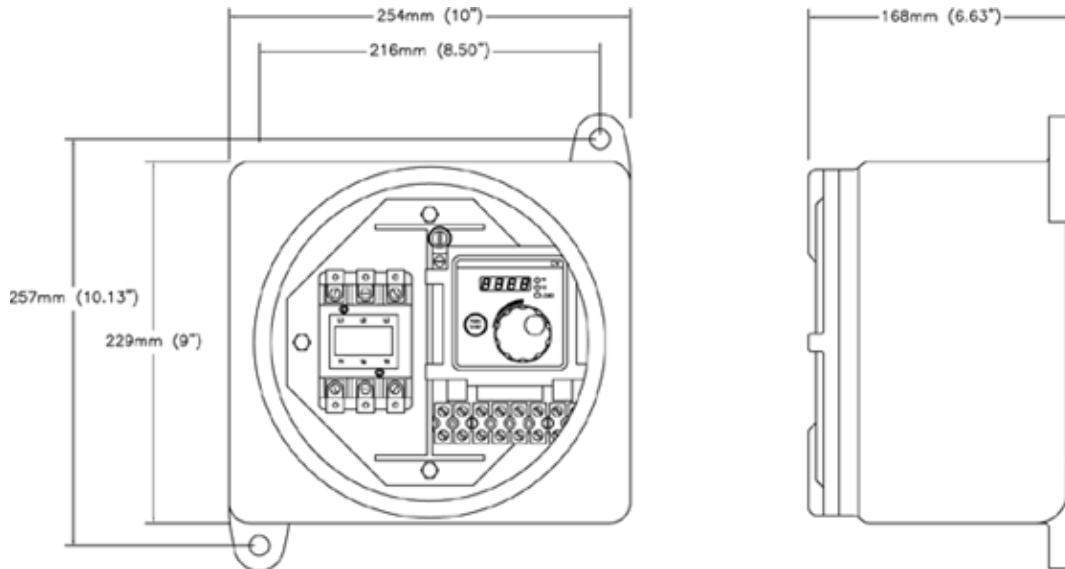
CALIBRATION ACCURACY

±1% of span

SWITCH TYPE

Triple Pole Single Throw

OUTLINE

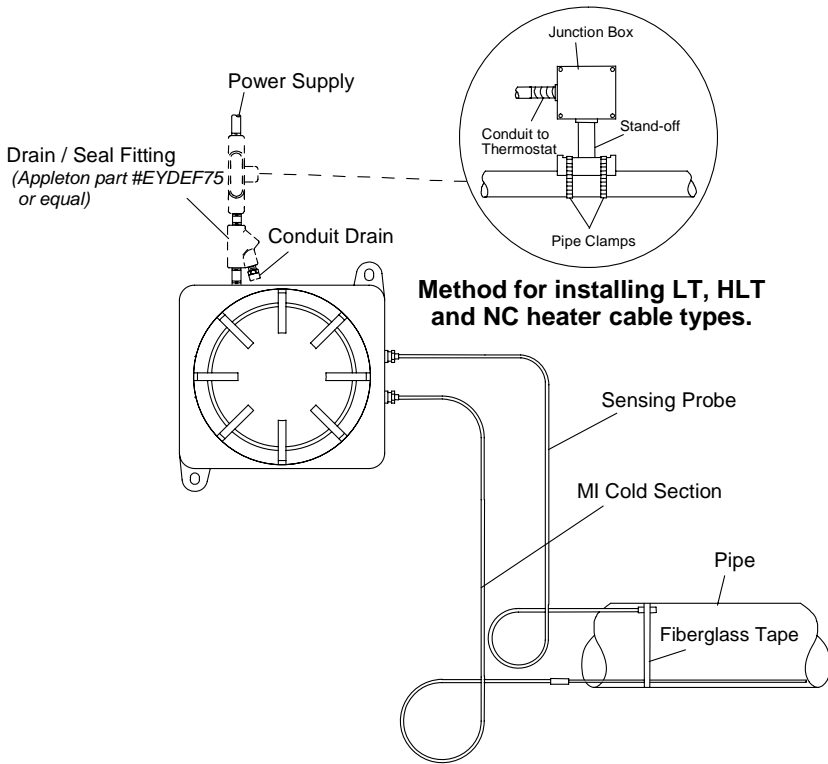


Approvals:

FM - Class I; Div. 1; Groups B, C, D
- Class II; Div. 1; Groups E, F, G
- Class I; Zone 1; AEx d IIB+H₂

CSA - Class I; Div. 1; Groups B, C, D
- Class II; Div. 1; Groups E, F, G
- Class I; Zone 1; Ex d IIB+H₂

INSTALLATION



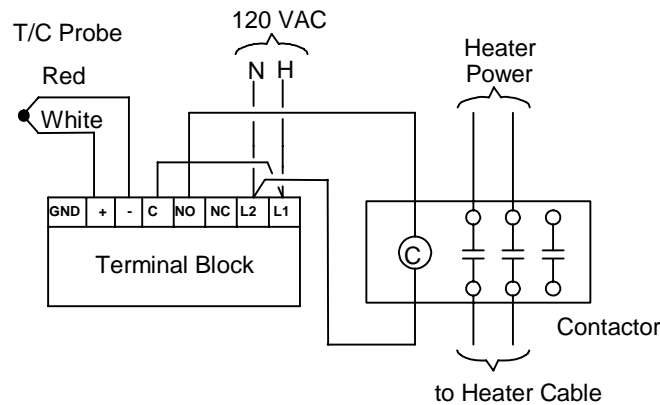
INSTALLATION NOTES:

- Securely mount thermostat enclosure and connect to power wiring.
- Verify thermostat set point is at the desired maintenance temperature.
- Close enclosure cover to prevent damage from inclement weather.
- Insure all fittings associated with the power wiring are installed per applicable codes.
- When conduit type systems are used, low point drains / conduit drains are highly recommended.

ANNUAL MAINTENANCE:

Spray a coat of lubricant and rust preventative such as CRC Stor & Lube on the electrical wire connections.

WIRING DIAGRAM



Nelson Heat Tracing Systems products are supplied with a limited warranty. Complete Terms and Conditions may be found on Nelson's website at www.nelsonheaters.com.